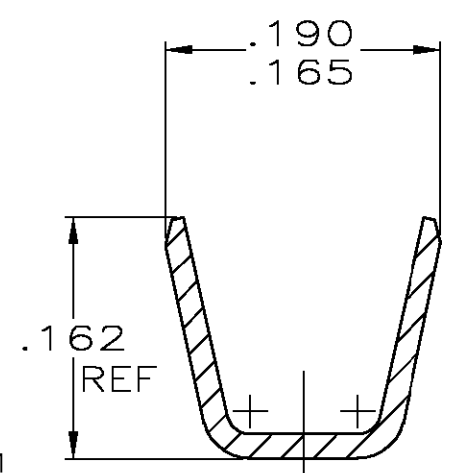
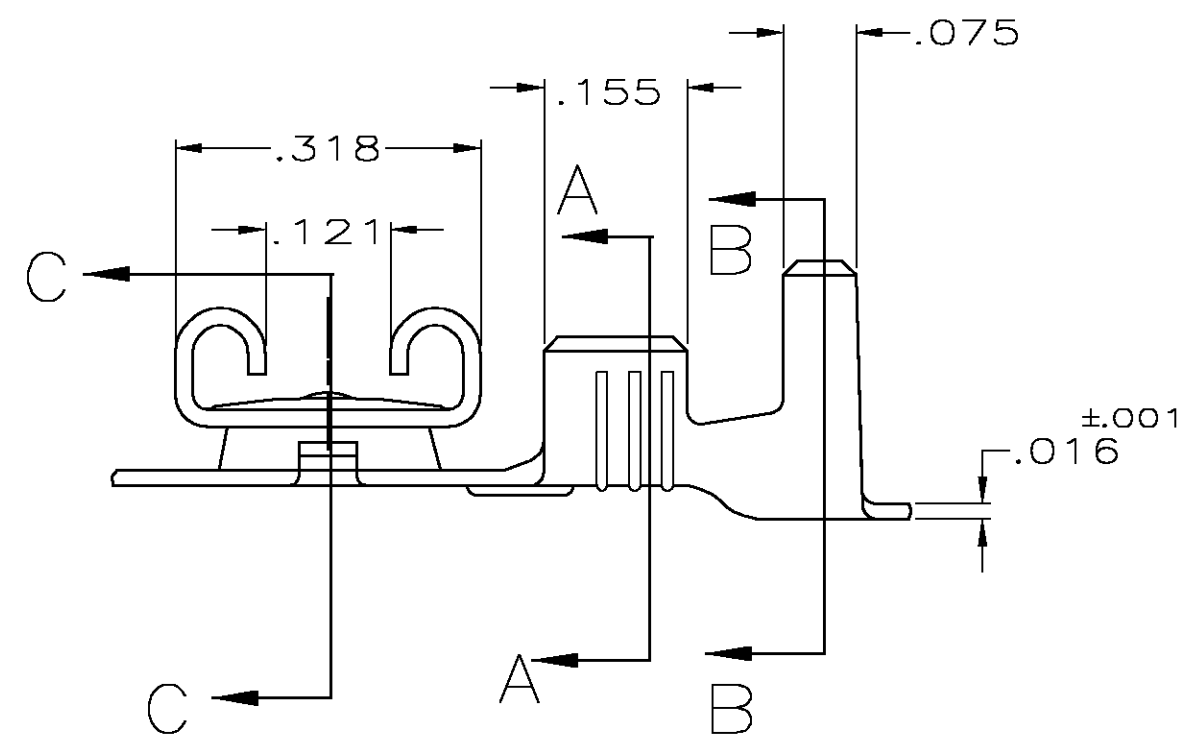
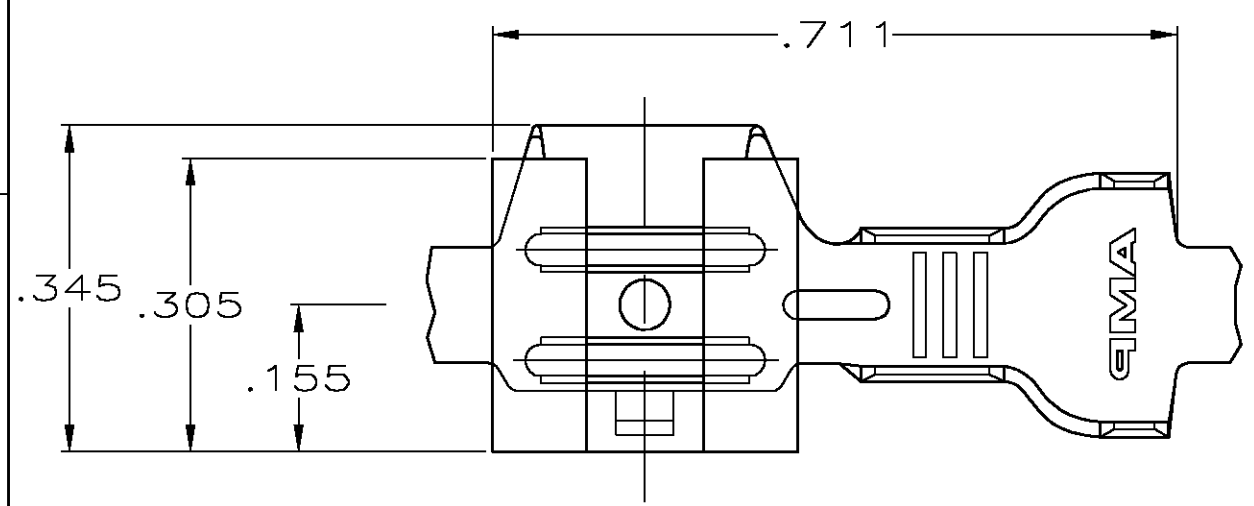


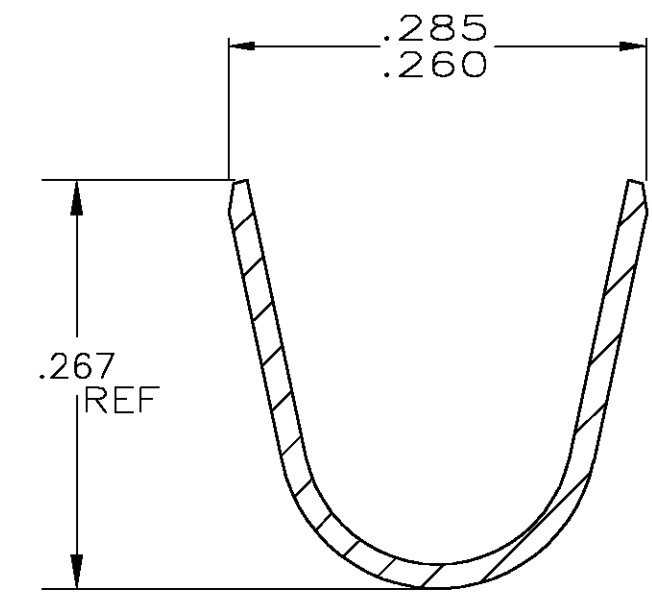
THIS DRAWING IS UNPUBLISHED. RELEASED FOR PUBLICATION
 © COPYRIGHT BY TYCO ELECTRONICS CORPORATION. ALL RIGHTS RESERVED.

LOC	DIST	REVISIONS					
		P	LTR	DESCRIPTION	DATE	DWN	APVD
AF	50		E	REV PER 0G3A-0181-03	20MAR03	RF	PD

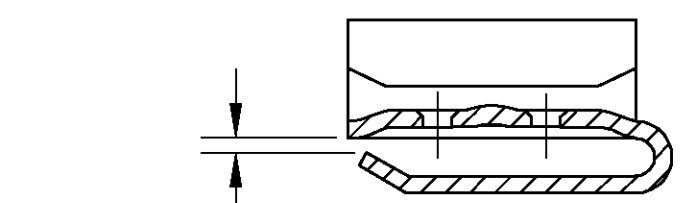
- 1 CONTINUOUS STRIP ON REELS.
- 2 WIRE SIZE IS FOR ONE #14 AWG OR (ONE #20 WITH ONE #14 AWG).
- 3 INSULATION RANGE IS TWO AT .140 MAX DIA.
- 4 MATING TAB THK IS .032±.001



SECTION A-A
SCALE 8:1



SECTION B-B
SCALE 8:1



SECTION C-C

1217896-1
PART NO.

THIS DRAWING IS A CONTROLLED DOCUMENT.		DWN	JR RUTH	06NOV02	tyco Electronics	Tyco Electronics Corporation Harrisburg, PA 17105					
DIMENSIONS: INCHES		CHK	P DESANTIS	06NOV02		NAME RECEPTACLE, FASTON, FLAG, REVERSIBLE, .250 SERIES	RESTRICTED TO				
TOLERANCES UNLESS OTHERWISE SPECIFIED:		APVD	P DESANTIS	06NOV02	PRODUCT SPEC		SIZE	CAGE CODE	DRAWING NO	RESTRICTED TO	
0 PLC ± -		APPLICATION SPEC		-		A3	00779	C-1217896	-		
1 PLC ± -		WEIGHT		-		CUSTOMER DRAWING		SCALE	5:1		
2 PLC ± -		MATERIAL		H04 BRASS		SHEET		1	OF	1	
3 PLC ± .010		FINISH		-		REV		E			
4 PLC ± -											
ANGLES ± -											